

**CB CE**

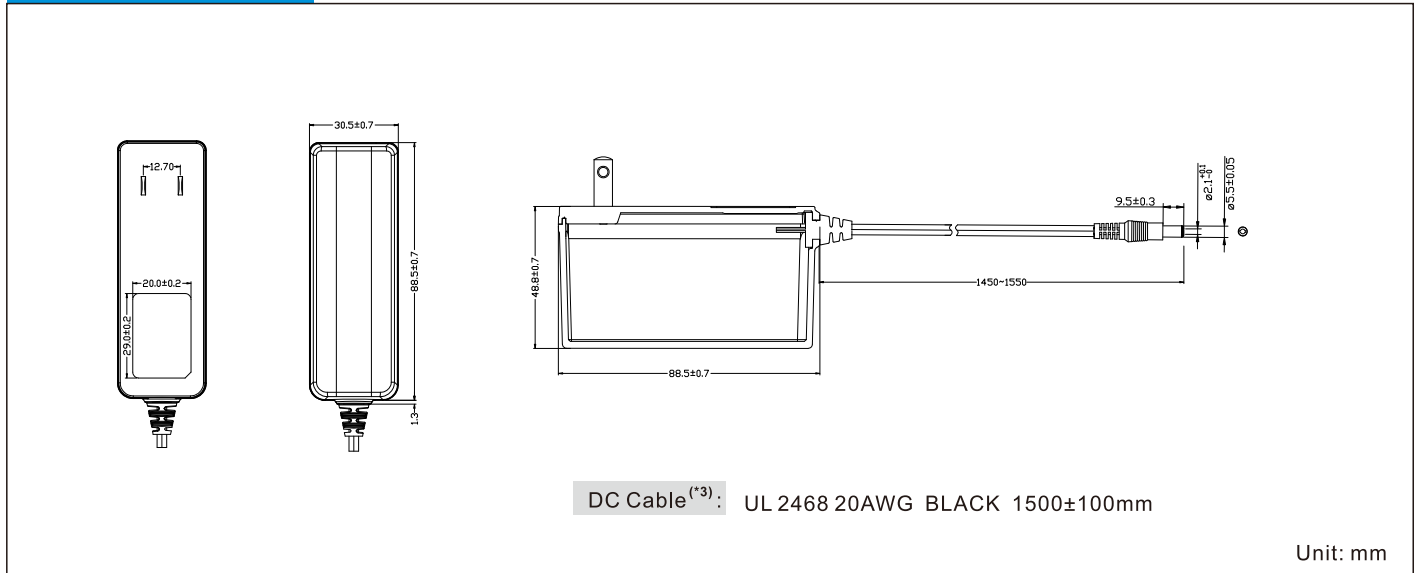
IP22 Class II (VI)

**Product Features**

- Medical & ITE safety approvals
- 2 MOPP input to output isolation
- DOE Efficiency Level VI & CoC V5 Tier2(2016)
- Leakage current  $\leq 10\mu\text{A}$
- $\leq 0.075\text{W}$  standby power
- Up to 5,000m operating altitude


**Models & Ratings**

Model Number	Voltage <sup>(**1)</sup>	Current	Rated Power	Ripple & Noise <sub>(max)(**2)</sub>	Voltage Tolerance	Line & Load Regulation	Efficiency (Average)	Start Up Delay
UES24LZ1-120200SPA	12VDC	0.01-2.0A	24W	150mVpk-pk	$\pm 5\%$	Line: $\pm 1\%$ Load: $\pm 5\%$	86.8%	$\leq 3\text{s}$

**Mechanical Details**

**Notes**

(\*\*1, 3) Other options are available, please contact our sales representative for details.

(\*\*2) Measured at output connector with 20MHz bandwidth and 0.1uF ceramic in parallel with 10uF electrolytic capacitors.

**Input**

Input Voltage Range	80-264VAC
Frequency Range	47-63Hz
Input Current	0.8A at 80VAC
Touch Leakage Current (max)	≤ 10μA at 264VAC

**Environmental**

Operating Temperature	0°C to 45°C
Storage Temperature	-20°C to 60°C
Operating Humidity	10% to 90% RH, non-condensing
Storage Humidity	5% to 90% RH
Operating Altitude	5,000m

**General**

Dimensions	88.5(L)x30.5(W)x48.8(H)mm
Weight	128g
MTBF	>50,000hrs MIL-HK8K-217 at 25°C
Isolation	5,656VDC Input to Output

**Protection**

Overload	110-200% rated output power, auto recovery
Over Voltage	110-150% rated output voltage input to reset
Short Circuit	Trip and restart (hiccup mode)

**Safety Approvals**

Safety Agency / Mark	Medical(Meet)	ITE(Meet)
CE	-	EN62368-1
CB	IEC60601-1-11	IEC62368-1

**EMC**

Emissions	Medical	ITE
Conducted	IEC/EN 60601-1-2, CISPR 11/IEC/EN 60601-1-2, CISPR 11	
Radiated	EN61000-3-2, Class A	
Harmonic Currents	EN61000-3-3	
Voltage Flicker	EN61000-3-3	
Immunity	Medical	ITE
ESD	EN61000-4-2	±15kV air, ±8kV contact
Radiated Immunity	EN61000-4-3	10V/m, 3V/m 80MHz - 2.7GHz
EFT/Burst	EN61000-4-4	±2kV on AC port, ±1kV on signal ports
Surge	EN61000-4-5	±2KV line to line (diff mode)
Conducted Immunity	EN61000-4-6	3Vrms, 6Vrms (0.15MHz-80MHz)
Magnetic Field	EN61000-4-8	30 A/m
Dips & Interruptions	EN61000-4-11	0%, 70%, 0% of UT

**Others**

Dielectric Withstand Voltage	5,656VDC input to output
Insulation Resistance	10M Ohms, 500VDC input to output